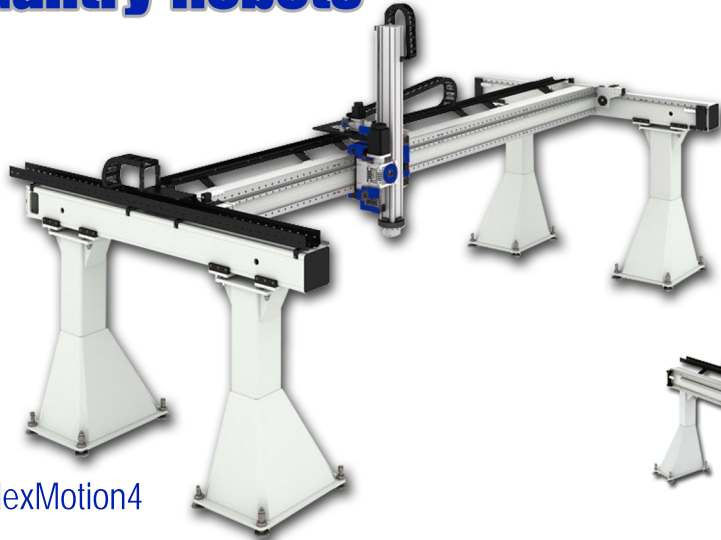
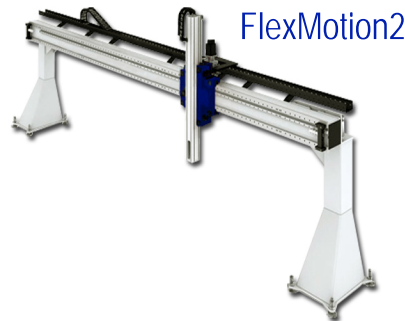


FLEX Motion

Gantry Robots



FlexMotion4



FlexMotion2

Benefits

- 2 Two to Four Axis Controller
- 2 Highly Reliable
- 2 Quickly and Easily Programmed
- 2 Simple, Robust Mechanical Design
- 2 Low Maintenance Requirements
- 2 Large Working Envelopes
- 2 Single or Dual Stage Z-Axis Mast
- 2 Extremely Gentle Product Handling

Automated Motion's FlexMotion™ Gantry Robots

The FlexMotion™ Series of Gantry Robots combine a heavy duty mechanical design with the latest in robotic control technology. It offers unparalleled quality, reliability and ease of programming in a gantry style robot. Designed to be quickly put to work on your most difficult applications, it exceeds the increasing demand for flexibility in this ever-changing marketplace.

The scalable design can be configured as a two three or four axis gantry. Working envelopes can span distances in excess of 100 feet and payloads up to 1000 pounds.

Let Automated Motion provide a specifically designed gantry to efficiently meet your production requirements.



Automated Motion

www.ami-rs.com

General Specifications

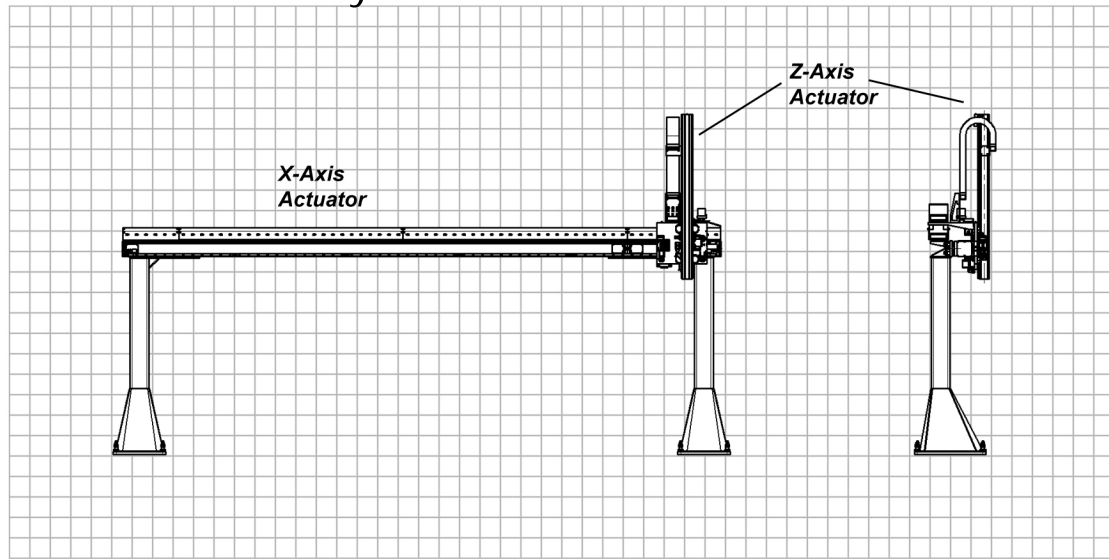
Item \ Model		FlexMotion2	FlexMotion4
Controlled Axis		2 Axis	3 to 4 Axis
Payload		Up to 1000 lbs	
Repetitive Positioning Accuracy		0.005" / meter	
Motion Range	X-Axis	Up to 40 meters	
	Y-Axis	n/a	Up to 20 meters
	Z-Axis	Up to 4 meters	
	T-Axis	360°	
Max Speed	X-Axis	3 m/sec	
	Y-Axis	3 m/sec	
	Z-Axis	3 m/sec	
	T-Axis	90 °/sec	
Ambient Conditions	Temperature	35° - 135° F	
	Humidity	5 to 90% RH (non condensing)	
	Others	Free from corrosive gases or liquids	
		Clean and Dry	
		Free from excessive electrical noise	
		Adequate electrical ground source	



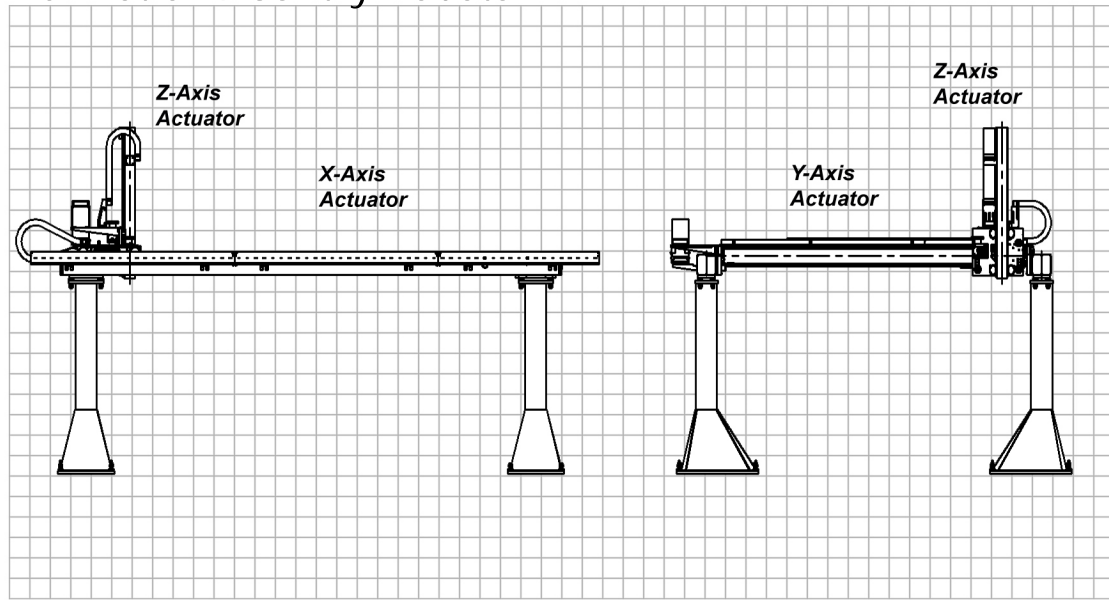
Automated Motion

1207A Belmar Drive
 Belcamp, Maryland 21017
 Tel: 410-679-7902
 Fax: 410-679-7903
 Website: www.ami-rs.com
 Email: sales@ami-rs.com

FlexMotion2 Gantry Robots



FlexMotion4 Gantry Robots



The dimensions, descriptions, illustrations and other particulars in this brochure are provided in good faith and are for information purposes only. No guarantee or warranty is given or implied by Automated Motion Inc. Photographs are for illustration only and may be shown with guards removed to highlight details or features.
 Copyright © 2008 Automated Motion Incorporated.